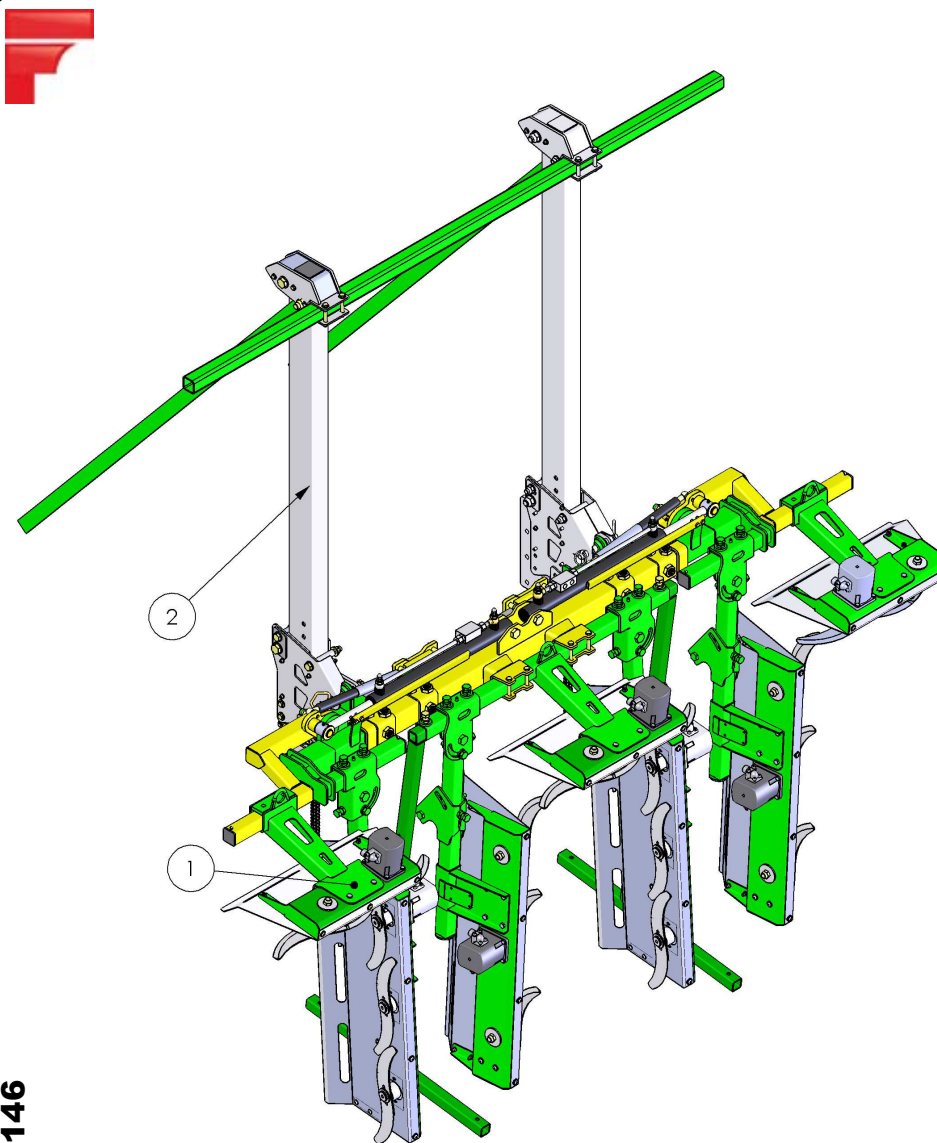


**1 RANG + 2 x ½ RANGS + BATI ASCENSEUR +
DEPORT 350 MM + RELEVAGE PANNEAUX EXTERIEUR
- COUPE 113
R5565EELA213IS (2026499)**

2013 →



NTEC0146



NOMENCLATURE

| Rep. | Qté | Code | Référence | Désignation |
|------|-----|------|-----------|---|
| 1 | 1 | | NTEC0102 | Ecimeuse 1 rang + 2*1/2 rg |
| 2 | 1 | | NTEC0109 | Chassis ascenseur a chaines |
| 3 | 1 | | NTEC0042 | Kit flex alimentation limiteur moteur serie "s" |
| 4 | | | | |
| 5 | | | | |
| 6 | | | | |
| 7 | | | | |
| 8 | | | | |
| 9 | | | | |
| 10 | | | | |
| 11 | | | | |
| 12 | | | | |
| 13 | | | | |
| 14 | | | | |
| 15 | | | | |
| 16 | | | | |
| 17 | | | | |
| 18 | | | | |
| 19 | | | | |
| 20 | | | | |
| 21 | | | | |
| 22 | | | | |
| 23 | | | | |
| 24 | | | | |
| 25 | | | | |
| 26 | | | | |
| 27 | | | | |
| 28 | | | | |
| 29 | | | | |
| 30 | | | | |
| 31 | | | | |
| 32 | | | | |
| 33 | | | | |
| 34 | | | | |
| 35 | | | | |
| 36 | | | | |
| 37 | | | | |
| 38 | | | | |
| 39 | | | | |
| 40 | | | | |
| 41 | | | | |
| 42 | | | | |
| 43 | | | | |
| 44 | | | | |
| 45 | | | | |
| 46 | | | | |
| 47 | | | | |
| 48 | | | | |
| 49 | | | | |
| 50 | | | | |

REF PL: 99029063

ind.
A

Date: 24/03/2014