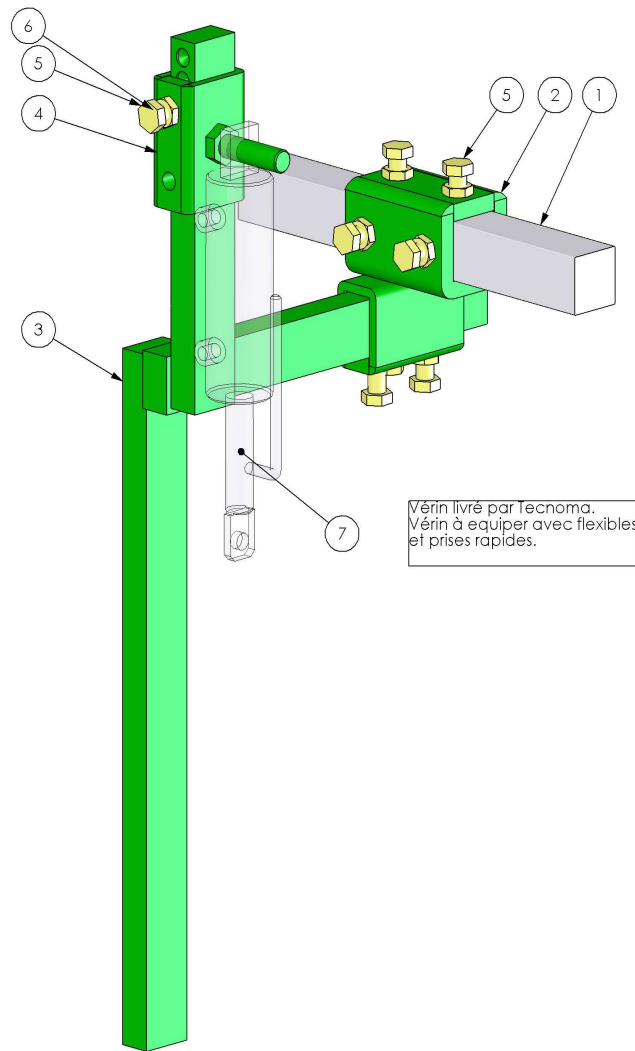


GUIDE AVANT CENTRAL VITIS SANS VERIN – AVEC FLEXIBLES

2013 →

HDI200T (2016410)



Vérin livré par Tecnomat.
Vérin à équiper avec flexibles
et prises rapides.

NTTS0007

NOMENCLATURE

| Rep. | Qté | Code | Référence | Désignation |
|------|-----|---------|-------------------|------------------------------------|
| 1 | 1 | | C.050.0420 | Carre de 50 brut |
| 2 | 1 | 2207163 | ET015500 | Croix 50x50 - 50x30 |
| 3 | 1 | 2207164 | ET015600 | Guide avant VITIS 50x30 |
| 4 | 1 | 2207165 | ET015700 | Fixation verin guide avant VITIS |
| 5 | 7 | | A7V*01*16*035*2 | Vis HM 16 X 35 FT AZI |
| 6 | 7 | 2205944 | A7E*11*16*2 | Ecrou H B 16 AZI |
| 7 | 1 | | 72550.85PRECH2308 | Verin terrage |
| 8 | 1 | | NTTS0023 | Kit flex guide avant central VITIS |
| 9 | | | | |
| 10 | | | | |
| 11 | | | | |
| 12 | | | | |
| 13 | | | | |
| 14 | | | | |
| 15 | | | | |
| 16 | | | | |
| 17 | | | | |
| 18 | | | | |
| 19 | | | | |
| 20 | | | | |
| 21 | | | | |
| 22 | | | | |
| 23 | | | | |
| 24 | | | | |
| 25 | | | | |
| 26 | | | | |
| 27 | | | | |
| 28 | | | | |
| 29 | | | | |
| 30 | | | | |
| 31 | | | | |
| 32 | | | | |
| 33 | | | | |
| 34 | | | | |
| 35 | | | | |
| 36 | | | | |
| 37 | | | | |
| 38 | | | | |
| 39 | | | | |
| 40 | | | | |
| 41 | | | | |
| 42 | | | | |
| 43 | | | | |
| 44 | | | | |
| 45 | | | | |
| 46 | | | | |
| 47 | | | | |
| 48 | | | | |
| 49 | | | | |
| 50 | | | | |

REF PL: 99029028

ind.
A

Date: 24/03/2014